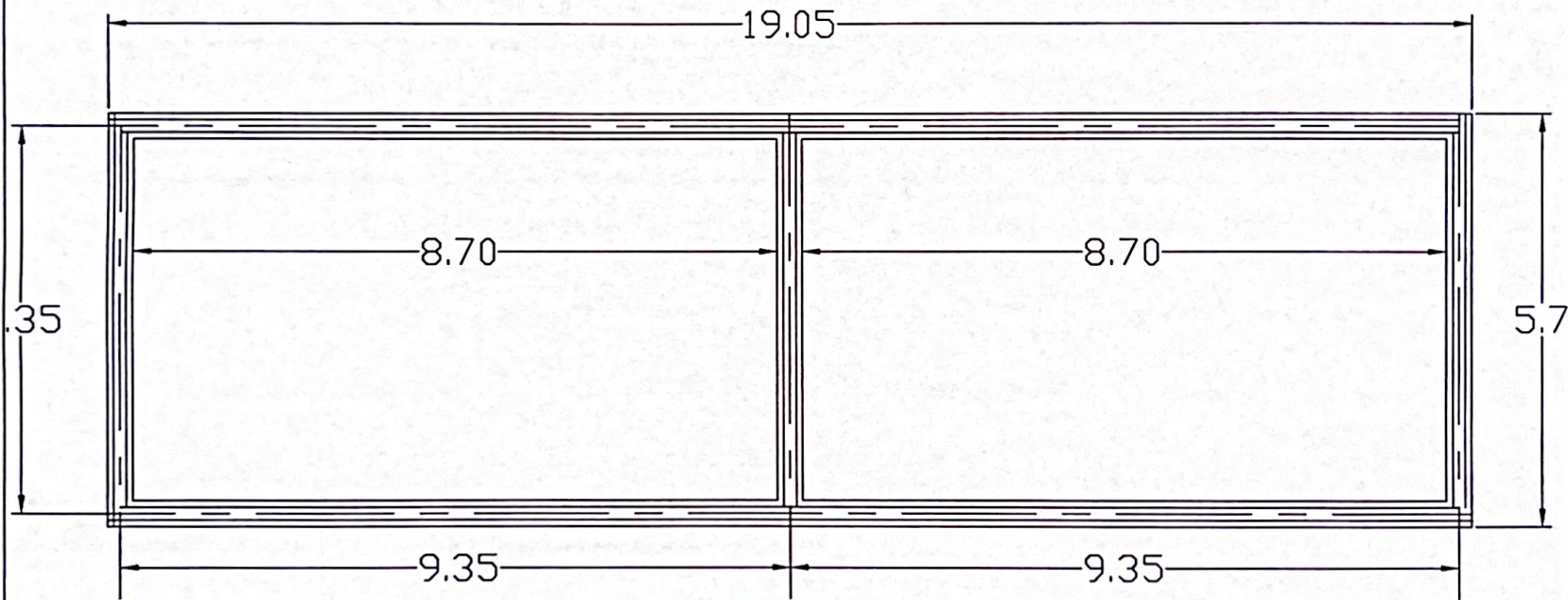


3 class.dwg
1/15/2004



General Notes

No.	Revisions/Issues	Date

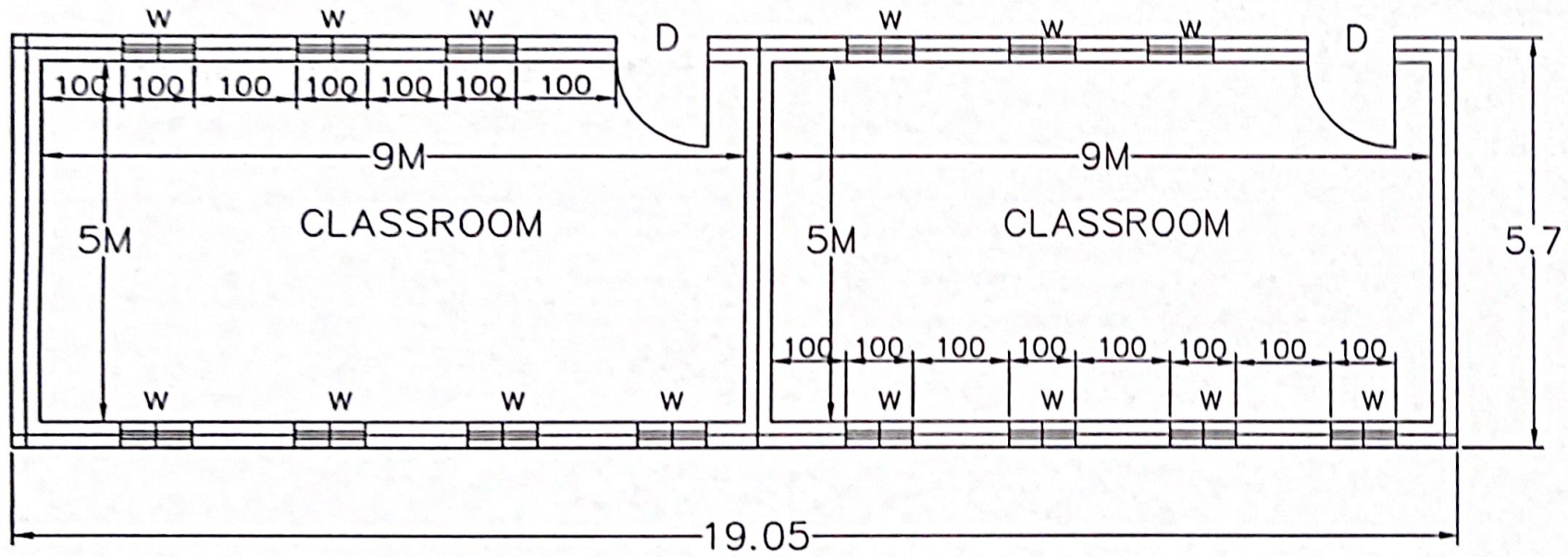
Rev. Notes and Remarks

Project Name and Address
CRS-Algeria office
Education Sector
Classrooms Construction
FOUNDATION PLAN

Project	Sheet
SHF-Rokero	1-7
Date	2018
Scale	1:1

Drawing2.dwg

14.10.2003



Revised Status

No.	Revision/Issue	Date

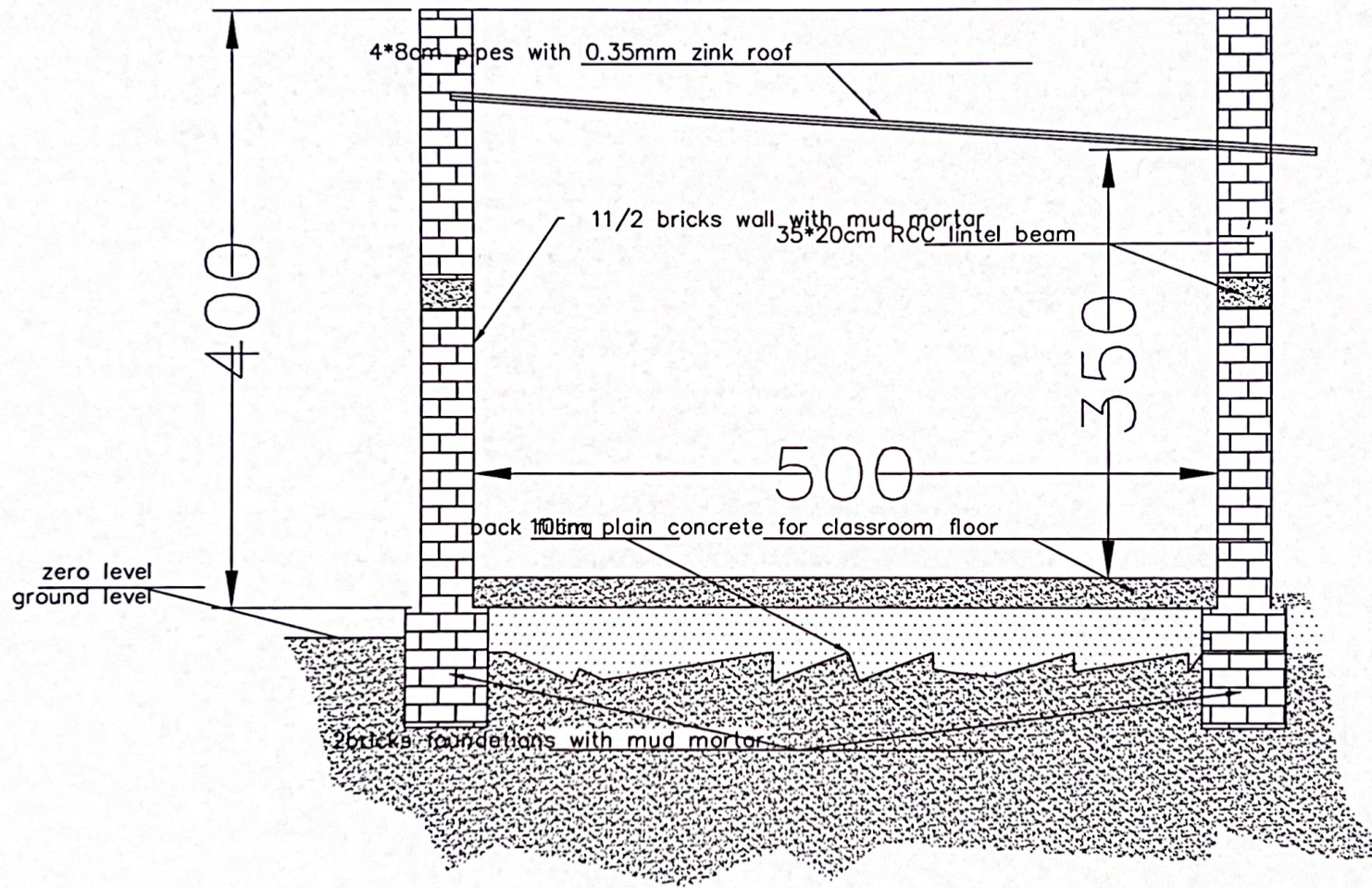
Plot Name and Address

Project Name and Address
CRS-Algenia office
Education Sector
Classrooms Construction
FLOOR PLAN

Sheet	Drawn
SHF-Rokero	2-7
Year	2018
Scale	1:1

Drawing3.dwg

14.10.2003



General Notes

No.	Revisions/Issues	Date

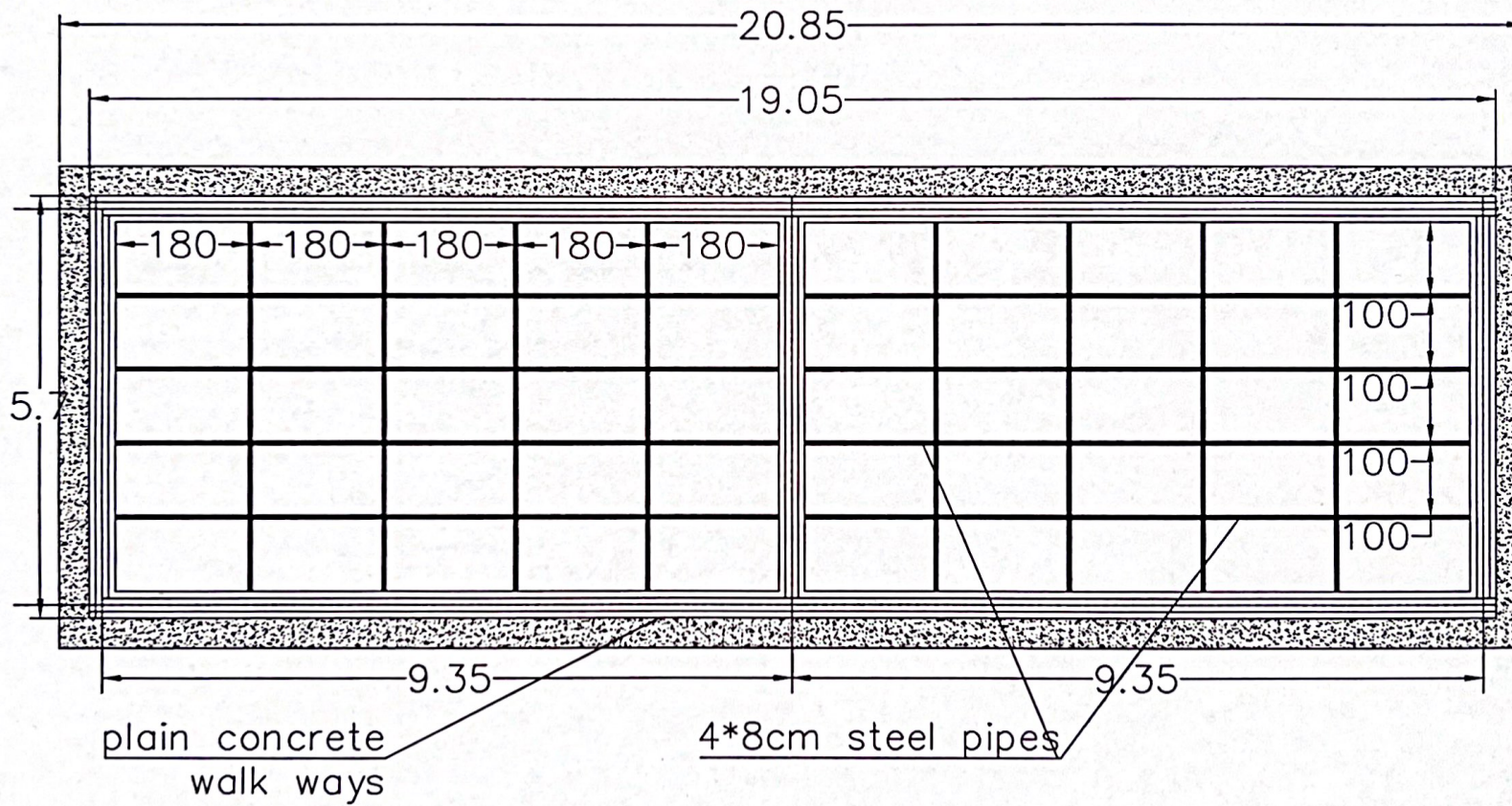
Prepared by and Address:

Project Name and Address:
CRS-Algenina office
Education Sector
classrooms construction
Building Section

Project	Sheet
SHF-Rokero	3-7
Date	2018
Scale	1:1

Drawing 1.dwg

14.10.2003



General Notes

No.	Revisions/Issues	Date

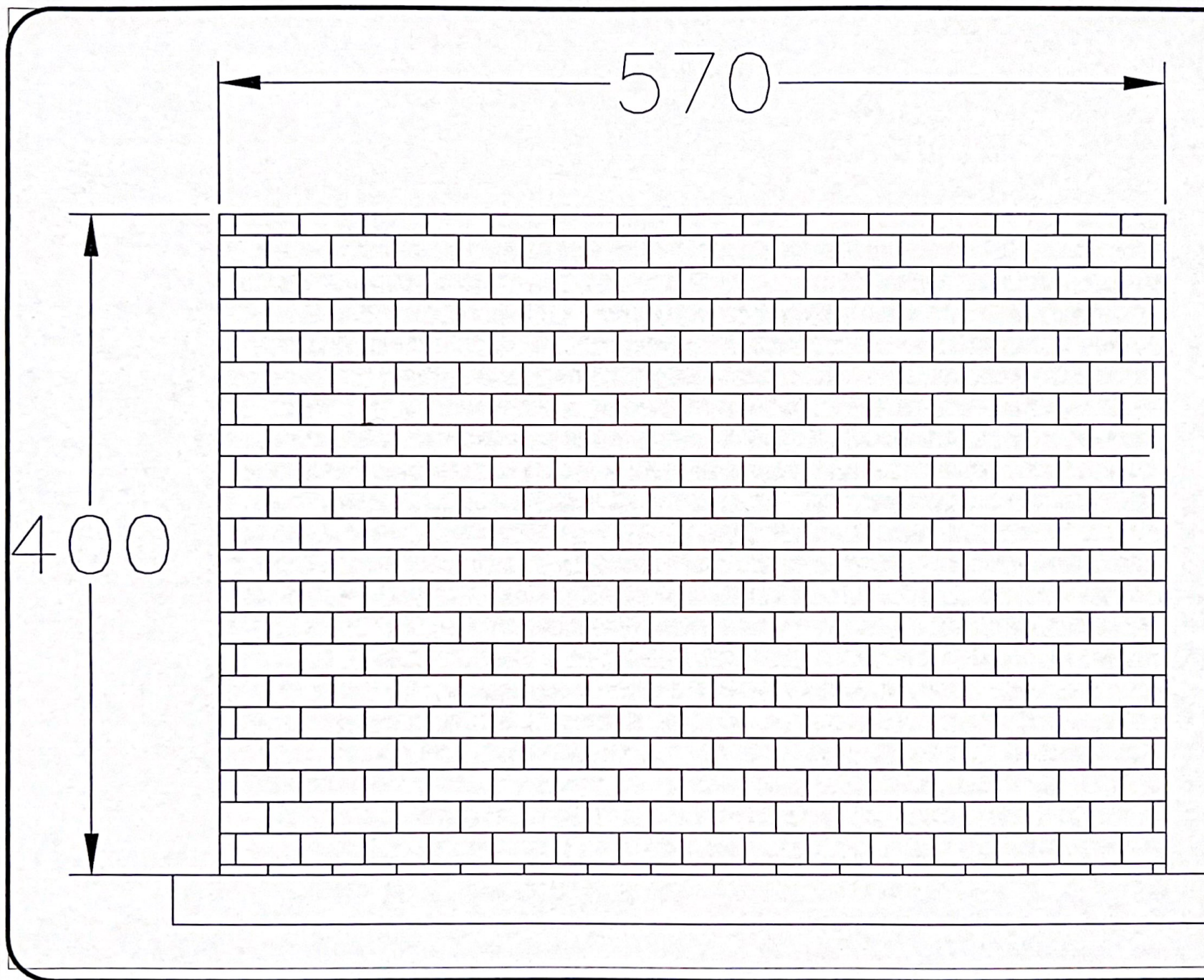
Site Name and Address

Project Name and Address
CRS--Algenina office
Education Sector
Classrooms Construction
ROOF PLAN

Project	SHF--Rokero	Sheet	4-7
Year	2018		
Scale	1:1		

Drawing 4.dwg

14.10.2003



General Notes

No.	Revisions/Remarks	Date

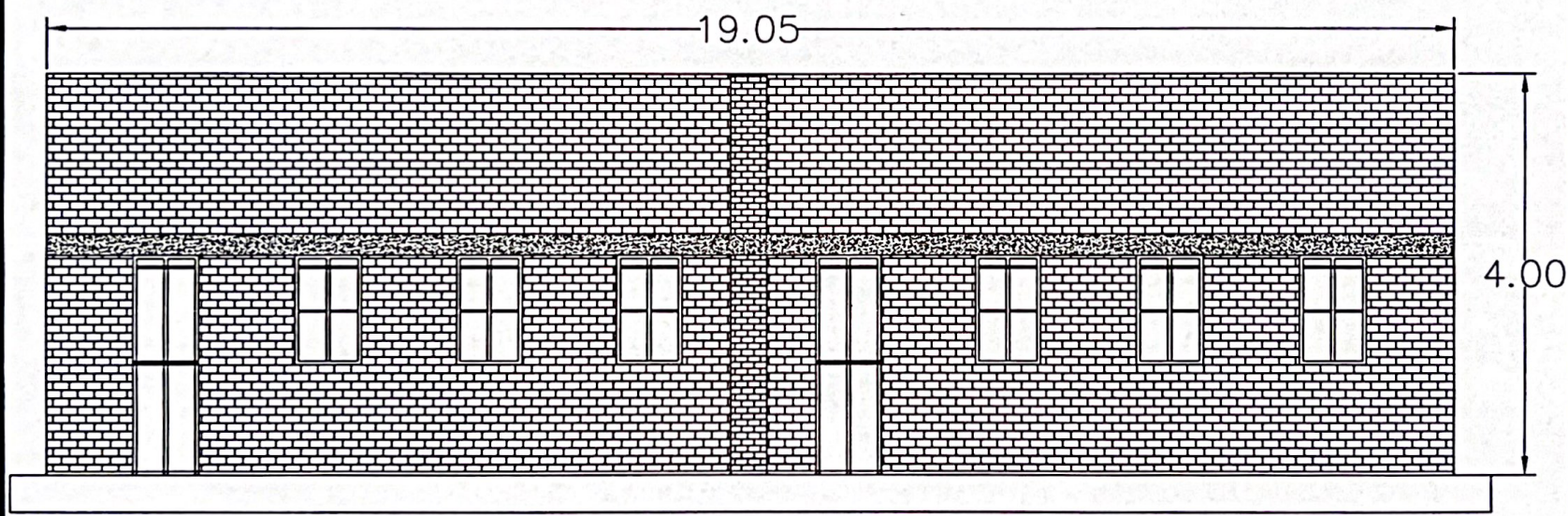
Site Name and Address

Project Name and Address
CRS-Algenina office
Education Sector
Classrooms Construction
SITE VIEW

Project	SHF-Rokero	Sheet	
Year	2018	Number	5-7
Scale	1:1		

Drawing9.dwg

14.10.2003



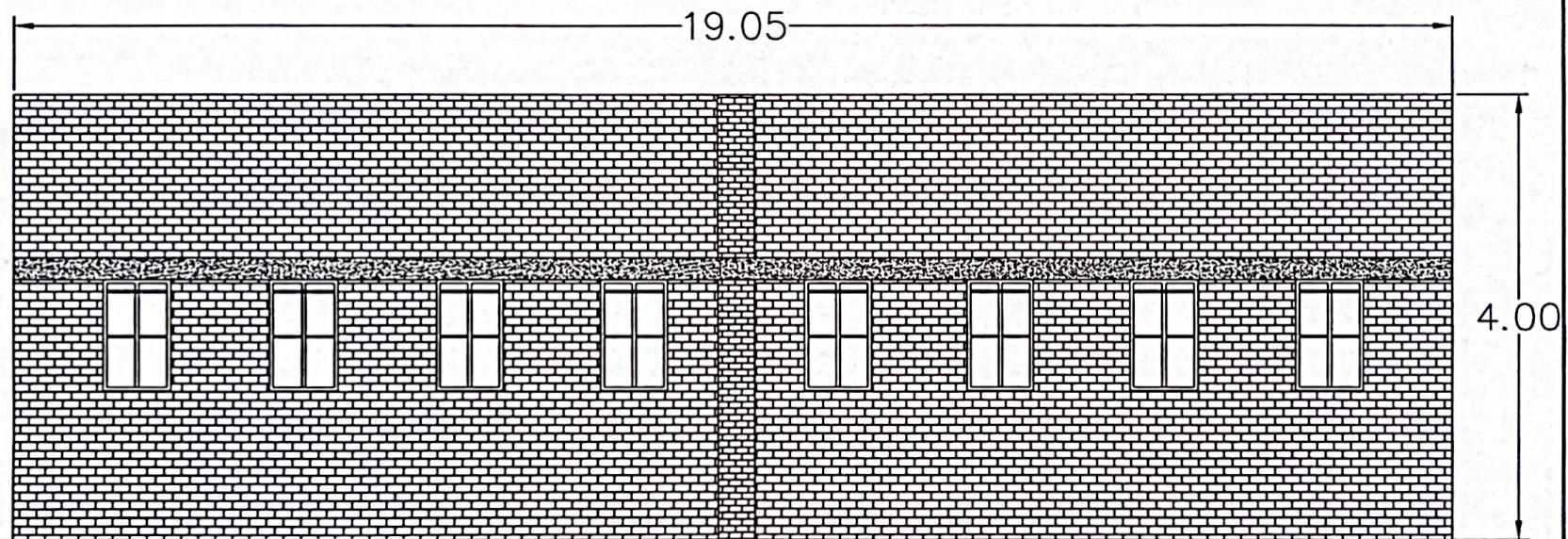
General Notes

No.	Revisions/Issues	Date

File Name and Address

Project Name and Address
CRS-Algeria office
Education Sector
Classrooms Construction
FRONT ELEVATION

Project	SHF-Rokero	Sheet	6-7
Date	2018	Scale	1:1



General Notes

No.	Revisions/Status	Date

Site Name and Address

Project Name and Address
CRS-Algenina office
Education Sector
Classrooms Construction
BACK ELEVATION

By SHF-Rokero	Date 2018	Sheet 7-7
Scale 1:1		

